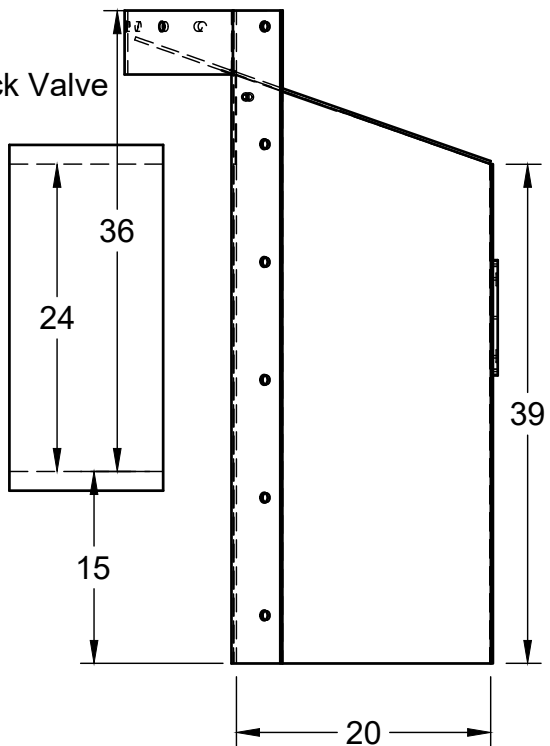
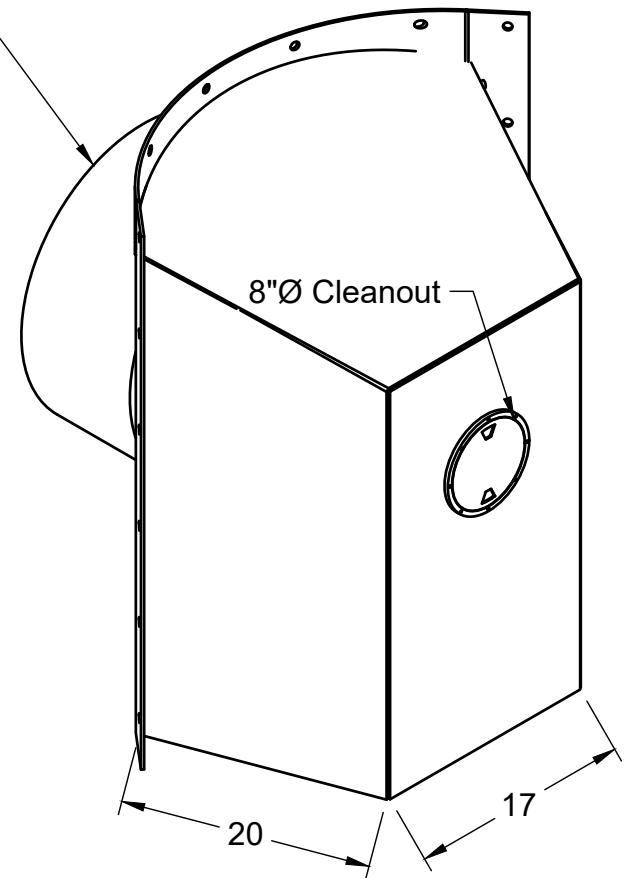


Front



Side



Isometric

Distributed by

HydroPod 48R24		
Project	48" Ø - 24" Pipe	
Location		
Date	11/7/2023	SCALE 1:15
		REV 1.0

