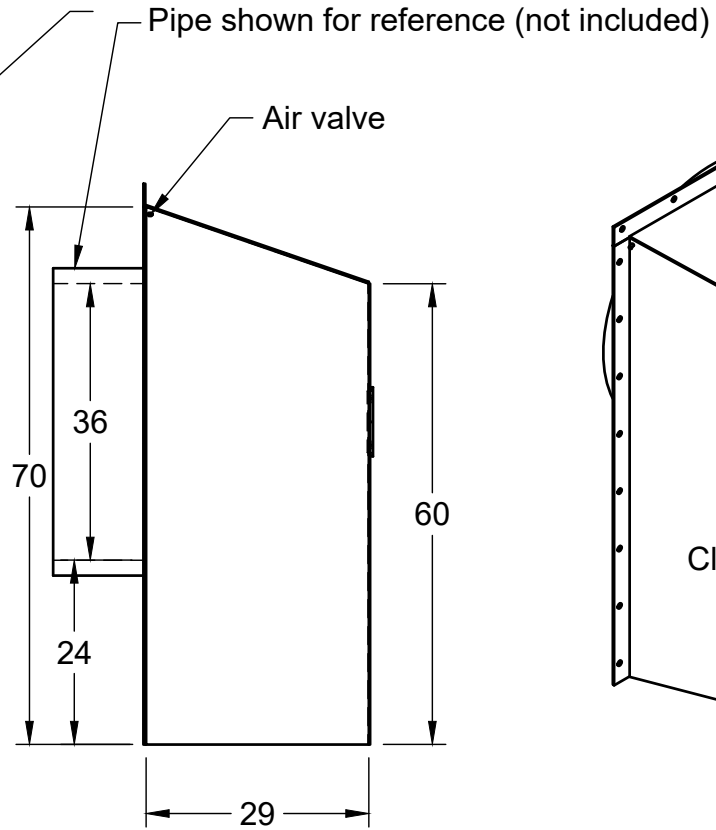
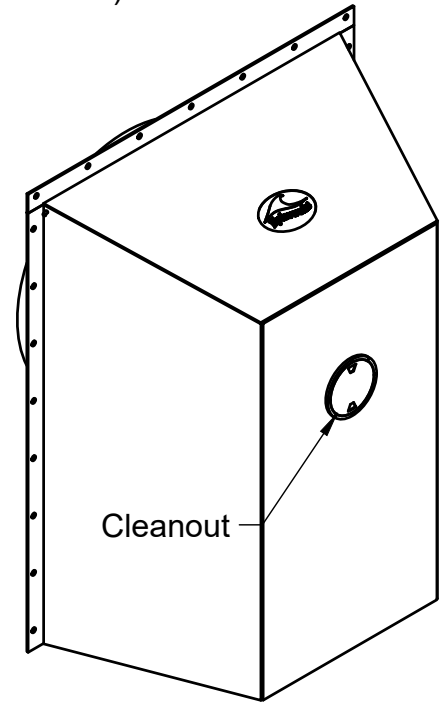


Front View



Side View



Isometric View

Distributed by

HydroPod HP36S (36" ID Pipe)			
Project	HP36S (Square)		
Location	Roselle, NJ		
Date	10/30/2023	SCALE 1:25	REV 1.0

